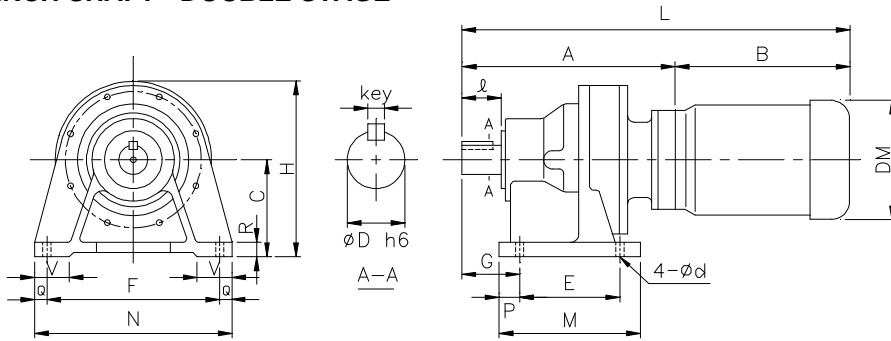


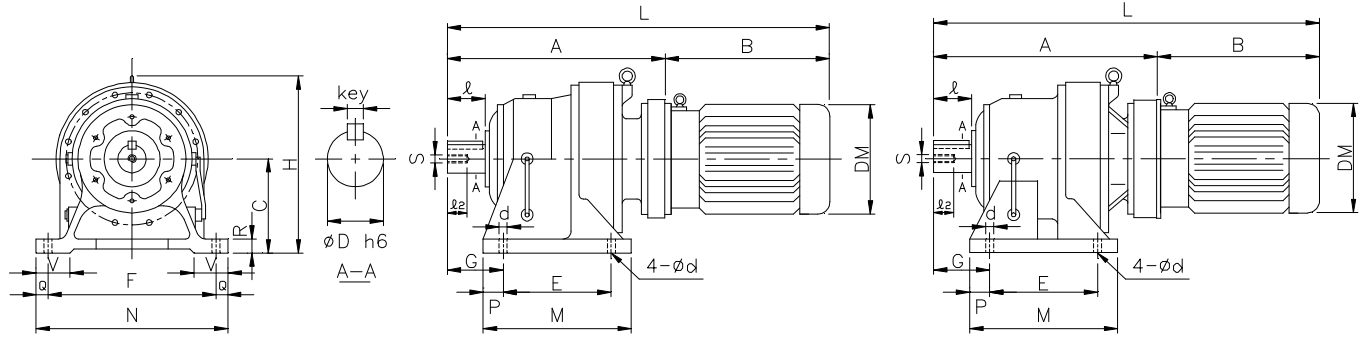
# INTEGRAL GEARMOTOR - MH

1 inch = 25.4 mm  
All dimensions listed are for reference only.  
Contact factory for certified dimensions.

## INCH SHAFT - DOUBLE STAGE



B0707-MH ~ B1109-MH



B1310-MH ~ B1813-MH

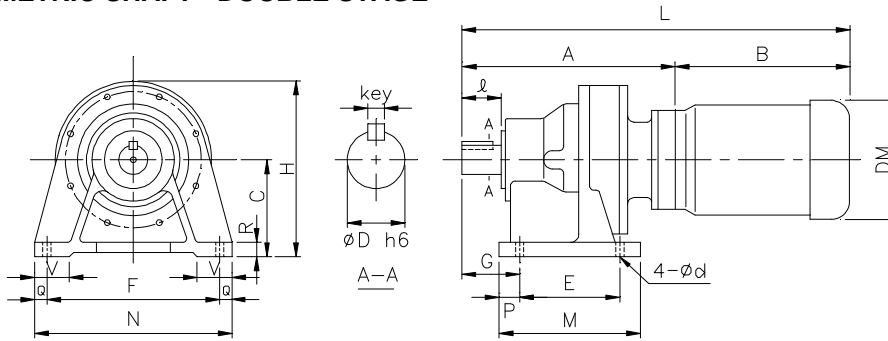
B1911-MH ~ B2013-MH

FRAME SIZE	Dim. in mm																Dim. in inch					Wt (lb)	
	A	B	C	DM	E	F	G	H	J	L	M	N	P	Q	R	V	d	Output Shaft					
																		D	I	Key	s	I2	
B0707-(1/8M)H	125	200	80	130	60	120	41	135	115	325	84	144	12	12	12	35	9	.500	0.98	1/8 x 1/8 x .79	M6	12	20
B0807-(1/8M)H	131	200	80	130	60	120	47	135	115	331	84	144	12	12	12	35	9	.750	1.18	3/16 x 3/16 x 1.06	M6	12	22
B0908-(1/8M)H	205	200	100	130	90	180	75	175	115	405	130	180	12	15	17	40	11	1.125	1.97	1/4 x 1/4 x 1.18	M8	18	37
B0908-(1/4M)H	205	218		144					115	423													40
B1008-(1/8M)H	219	200		130					115	419													42
B1008-(1/4M)H	219	218	100	144	90	150	75	175	115	437	135	180	15	15	17	40	11	1.125	1.97	1/4 x 1/4 x 1.18	M8	18	44
B1008-(1/2M)H	219	238		162					125	457													49
B1109-(1/8M)H	252	200		130					115	452													66
B1109-(1/4M)H	252	218	120	144	115	190	82	222	115	470	155	230	20	20	21	55	14	1.500	2.17	3/8 x 3/8 x 1.77	M10	18	79
B1109-(1/2M)H	252	238		162					125	490													84
B1310-(1M)H	317	248	150	177	145	290	100	265	137	565	195	330	25	20	27	65	18	1.875	2.76	1/2 x 1/2 x 2.17	M10	18	121
B1310-(2M)H	317	285		200					150	602													130
B1409-(1/4M)H	323	218		144					115	541													108
B1409-(1/2M)H	323	238	150	162	145	290	120	265	125	561	195	330	25	20	27	65	18	1.875	3.54	1/2 x 1/2 x 2.17	M10	18	112
B1409-(1M)H	323	248		177					137	571													117
B1611-(3M)H	389	316	160	219	150	370	139	319	173	705	238	410	44	20	30	75	18	2.250	3.54	1/2 x 1/2 x 2.95	M10	18	243
B1611-(5M)H	389	346		238					182	735													282
B1711-(3M)H	436	317	200	219	275	380	125	381	173	753	335	430	30	25	32	80	22	2.750	3.54	5/8 x 5/8 x 3.15	M12	24	320
B1711-(5M)H	436	347		238					182	783													359
B1813-(3M)H	496	319		219					173	815													432
B1813-(5M)H	496	349	220	238	320	420	145	415	182	845	380	470	30	25	33	85	22	3.125	4.33	3/4 x 3/4 x 3.74	M12	24	472
B1813-(8M)H	496	394		273					218	890													514
B1813-(10M)H	496	434		273					218	930													540
B1911-(1M)H	556	248		177					137	804													549
B1911-(2M)H	556	285	250	200	380	480	170	476	150	841	440	530	30	25	40	90	26	3.625	5.31	7/8 x 7/8 x 4.92	M20	34	558
B1911-(3M)H	556	315		219					173	871													569
B1911-(5M)H	556	442		238					182	998													606
B1913-(3M)H	572	315		219					173	887													584
B1913-(5M)H	572	345	250	238	380	480	170	476	182	917	440	530	30	25	40	90	26	3.625	5.31	7/8 x 7/8 x 4.92	M20	34	622
B1913-(8M)H	572	399		273					218	971													666
B1913-(10M)H	572	437		273					218	1009													694
B2011-(1M)H	597	248	250	177	360	440	215	485	137	845	440	530	40	45	40	100	26	3.875	6.50	1 x 1 x 6.50	M20	34	591
B2011-(2M)H	597	285		200					137	882													600
B2013-(2M)H	624	285		200					150	909													628
B2013-(3M)H	624	315	250	219	360	440	215	485	173	939	440	530	40	45	40	100	26	3.875	6.50	1 x 1 x 6.50	M20	34	635
B2013-(5M)H	624	345		238					182	969													675

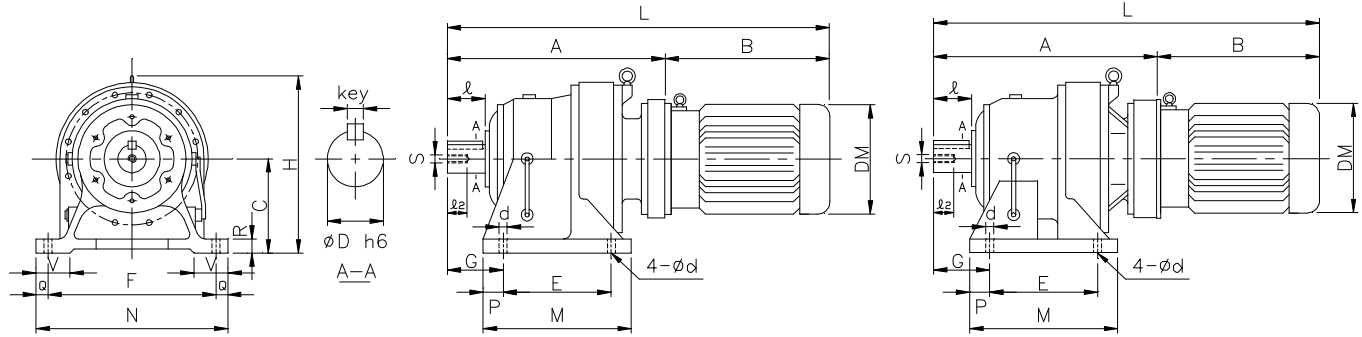
# INTEGRAL GEARMOTOR - MH

1 inch = 25.4 mm  
All dimensions listed are for reference only.  
Contact factory for certified dimensions.

## METRIC SHAFT - DOUBLE STAGE



B0707-MH ~ B1109-MH



B1310-MH ~ B1813-MH

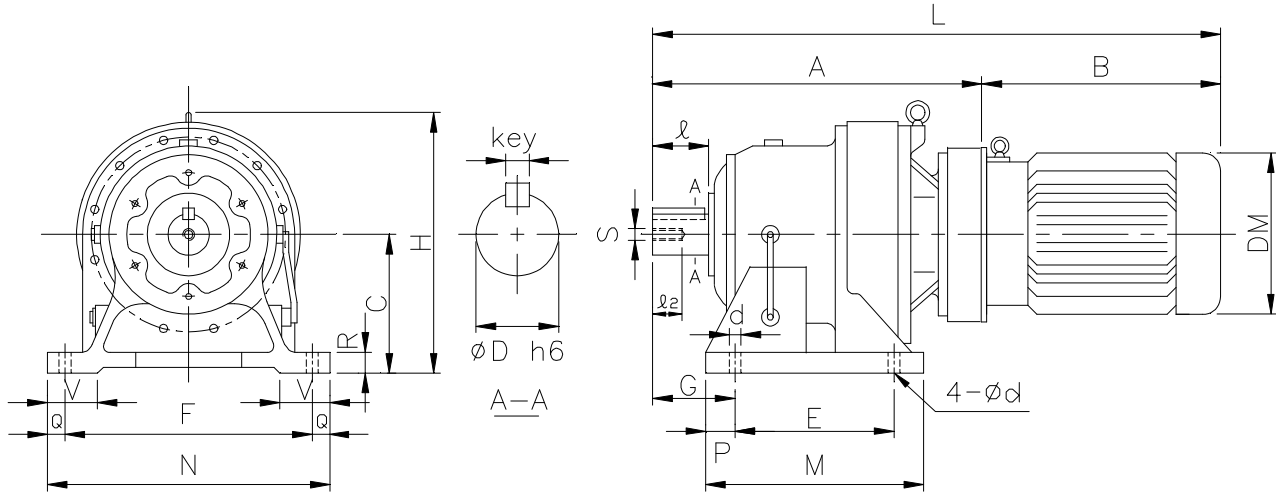
B1911-MH ~ B2013-MH

FRAME SIZE	Dim. in mm																	Dim. in mm				Wt (kg)	
	A	B	C	DM	E	F	G	H	J	L	M	N	P	Q	R	V	d	Output Shaft					
																		D	I	Key	s	I2	
B0707-(1/8M)H	125	200	80	130	60	120	41	135	115	325	84	144	12	12	12	35	9	14	25	5 x 5 x 20	M6	12	9
B0807-(1/8M)H	131	200	80	130	60	120	47	135	115	331	84	144	12	12	12	35	9	18	30	6 x 6 x 25	M6	12	10
B0908-(1/8M)H	205	200	100	130	90	180	75	175	115	405	130	180	12	15	17	40	11	28	50	8 x 7 x 32	M8	18	17
B0908-(1/4M)H	205	218		144					115	423													18
B1008-(1/8M)H	219	200		130					115	419													19
B1008-(1/4M)H	219	218	100	144	90	150	75	175	115	437	135	180	15	15	17	40	11	28	50	8 x 7 x 32	M8	18	20
B1008-(1/2M)H	219	238		162					125	457													22
B1109-(1/8M)H	252	200		130					115	452													30
B1109-(1/4M)H	252	218	120	144	115	190	82	222	115	470	155	230	20	20	21	55	14	38	55	10 x 8 x 50	M10	18	36
B1109-(1/2M)H	252	238		162					125	490													38
B1310-(1M)H	317	248	150	177	145	290	100	265	137	565	195	330	25	20	27	65	18	50	70	14 x 9 x 56	M10	18	55
B1310-(2M)H	317	285		200					150	602													59
B1409-(1/4M)H	323	218		144					115	541													49
B1409-(1/2M)H	323	238	150	162	145	290	120	265	125	561	195	330	25	20	27	65	18	50	90	14 x 9 x 80	M10	18	51
B1409-(1M)H	323	248		177					137	571													53
B1611-(3M)H	389	316	160	219	150	370	139	319	173	705	238	410	44	20	30	75	18	60	90	18 x 11 x 80	M10	18	110
B1611-(5M)H	389	346		238					182	735													128
B1711-(3M)H	436	317	200	219	275	380	125	381	173	753	335	430	30	25	32	80	22	70	90	20 x 12 x 80	M12	24	145
B1711-(5M)H	436	347		238					182	783													163
B1813-(3M)H	496	319		219					173	815													196
B1813-(5M)H	496	349	220	238	320	420	145	415	182	845	380	470	30	25	33	85	22	80	110	22 x 14 x 100	M12	24	214
B1813-(8M)H	496	394		273					218	890													233
B1813-(10M)H	496	434		273					218	930													245
B1911-(1M)H	556	248		177					137	804													249
B1911-(2M)H	556	285	250	200	380	480	170	476	150	841	440	530	30	25	40	90	26	95	135	25 x 14 x 125	M20	34	253
B1911-(3M)H	556	315		219					173	871													258
B1911-(5M)H	556	442		238					182	998													275
B1913-(3M)H	572	315		219					173	887													265
B1913-(5M)H	572	345	250	238	380	480	170	476	182	917	440	530	30	25	40	90	26	95	135	25 x 14 x 125	M20	34	282
B1913-(8M)H	572	399		273					218	971													302
B1913-(10M)H	572	437		273					218	1009													315
B2011-(1M)H	597	248	250	177	360	440	215	485	137	845	440	530	40	45	40	100	26	100	165	28 x 16 x 165	M20	34	268
B2011-(2M)H	597	285		200					137	882													272
B2013-(2M)H	624	285		200					150	909													285
B2013-(3M)H	624	315	250	219	360	440	215	485	173	939	440	530	40	45	40	100	26	100	165	28 x 16 x 165	M20	34	288
B2013-(5M)H	624	345		238					182	969													306

# INTEGRAL GEARMOTOR - MH

1 inch = 25.4 mm  
All dimensions listed are for reference only.  
Contact factory for certified dimensions.

## INCH SHAFT - DOUBLE STAGE



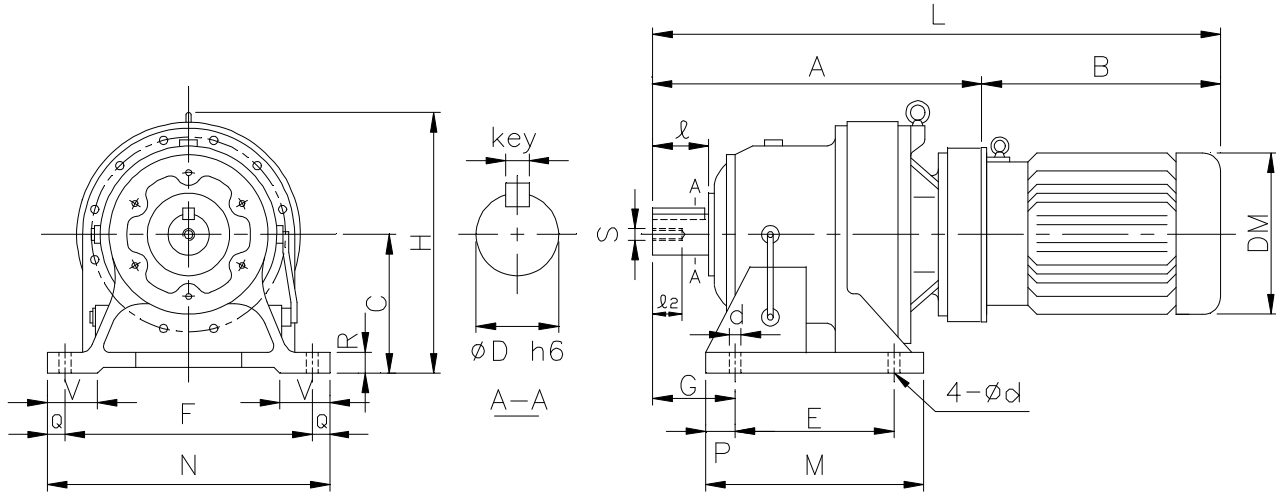
B2013-MH ~ B2519-MH

FRAME SIZE	Dim. in mm																	Dim. in inch					Wt (lb)	
	A	B	C	DM	E	F	G	H	J	L	M	N	P	Q	R	V	d	Output Shaft						
	D	I	Key	s	l2																			
B2013-(8M)H	624	389	250	273	360	440	215	485	218	1013	440	530	40	45	40	100	26	3.875	6.50	1 x 1 x 6.50	M20	34	716	
B2013-(10M)H	624	427		273					218	1051														743
B2113-(2M)H	650	285		200					150	935														805
B2113-(3M)H	650	315		219					173	965														811
B2113-(5M)H	650	345	265	238	395	480	210	518	182	995	475	580	40	50	42	110	26	4.250	6.50	1 x 1 x 6.50	M20	34	853	
B2113-(8M)H	650	389		273					218	1039														893
B2113-(10M)H	650	427		273					218	1077														922
B2116-(10M)H	675	427	265	273	395	480	210	518	218	1102	475	580	40	50	42	110	26	4.250	6.50	1 x 1 x 6.50	M20	34	959	
B2116-(15M)H	675	498		334					256	1173														1032
B2213-(2M)H	692	285		200					150	977														970
B2213-(3M)H	692	315		219					173	1007														981
B2213-(5M)H	692	345	280	238	420	540	230	554	182	1037	520	620	50	40	42	115	33	4.625	6.50	1 1/4 x 7/8 x 6.50	M20	34	1014	
B2213-(8M)H	692	389		273					218	1081														1058
B2213-(10M)H	692	427		273					218	1119														1091
B2217-(8M)H	735	389		273					218	1124														1157
B2217-(10M)H	735	427	280	273	420	540	230	554	218	1162	520	620	50	40	42	115	33	4.625	6.50	1 1/4 x 7/8 x 6.50	M20	34	1186	
B2217-(15M)H	735	498		334					256	1233														1254
B2217-(20M)H	735	542		334					256	1277														1296
B2316-(3M)H	778	317		219					173	1095														1237
B2316-(5M)H	778	347		238					182	1125														1279
B2316-(8M)H	778	392	300	273	460	580	260	595	218	1170	560	670	50	45	45	120	33	5.000	7.87	1 1/4 x 7/8 x 7.87	M24	41	1314	
B2316-(10M)H	778	430		273					218	1208														1340
B2316-(15M)H	778	502		334					256	1280														1411
B2316-(20M)H	778	522		334					256	1300														1455
B2318-(30M)H	800	563	300	382	460	580	260	595	301	1363	560	670	50	45	45	120	33	5.000	7.87	1 1/4 x 7/8 x 7.87	M24	41	1675	
B2416-(3M)H	816	319		219					173	1135														1477
B2416-(5M)H	816	349		238					182	1165														1510
B2416-(8M)H	816	394	335	273	480	630	263	654	218	1210	580	720	50	45	45	128	39	5.500	7.87	1 1/4 x 7/8 x 7.87	M24	41	1554	
B2416-(10M)H	816	432		273					218	1248														1583
B2416-(15M)H	816	504		334					256	1320														1653
B2416-(20M)H	816	549		334					256	1365														1698
B2418-(20M)H	837	543		334					256	1380														1764
B2418-(25M)H	837	563	335	382	480	630	263	654	301	1400	580	720	50	45	45	128	39	5.500	7.87	1 1/4 x 7/8 x 7.87	M24	41	1896	
B2418-(30M)H	837	563		382					301	1400														1896
B2517-(5M)H	956	349		238					182	1305														2293
B2517-(8M)H	956	394		273					218	1350														2337
B2517-(10M)H	956	429		273					218	1385														2359
B2517-(15M)H	956	499	375	334	520	670	320	726	256	1455	630	780	55	55	50	140	39	6.250	9.45	1 1/2 x 1 x 9.45	M30	49	2447	
B2517-(20M)H	956	544		334					256	1500														2469
B2517-(25M)H	956	564		382					301	1520														2623
B2517-(30M)H	956	564		382					301	1520														2634
B2519-(25M)H	978	562		382					301	1540														2789
B2519-(30M)H	978	562	375	382	520	670	320	726	301	1540	630	780	55	55	50	140	39	6.250	9.45	1 1/2 x 1 x 9.45	M30	49	2800	
B2519-(40M)H	978	562		382					334	1540														2822

# INTEGRAL GEARMOTOR - MH

1 inch = 25.4 mm  
All dimensions listed are for reference only.  
Contact factory for certified dimensions.

## METRIC SHAFT - DOUBLE STAGE



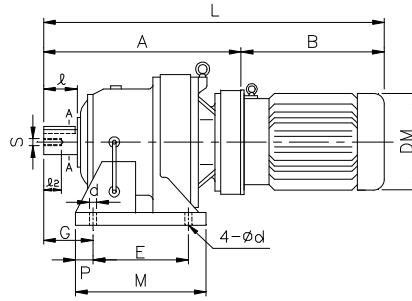
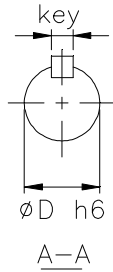
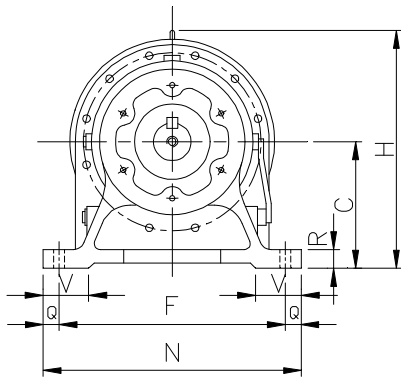
B2013-MH ~ B2519-MH

FRAME SIZE	Dim. in mm																Dim. in mm					Wt (kg)		
	A	B	C	DM	E	F	G	H	J	L	M	N	P	Q	R	V	d	D	I	Key	s		l2	
B2013-(8M)H	624	389	250	273	360	440	215	485	218	1013	440	530	40	45	40	100	26	100	165	28 x 16 x 165	M20	34	325	
B2013-(10M)H	624	427		273					218	1051														337
B2113-(2M)H	650	285		200					150	935														365
B2113-(3M)H	650	315		219					173	965														368
B2113-(5M)H	650	345	265	238	395	480	210	518	182	995	475	580	40	50	42	110	26	110	165	28 x 16 x 165	M20	34	387	
B2113-(8M)H	650	389		273					218	1039														405
B2113-(10M)H	650	427		273					218	1077														418
B2116-(10M)H	675	427	265	273	395	480	210	518	218	1102	475	580	40	50	42	110	26	110	165	28 x 16 x 165	M20	34	435	
B2116-(15M)H	675	498		334					256	1173														468
B2213-(2M)H	692	285		200					150	977														440
B2213-(3M)H	692	315		219					173	1007														445
B2213-(5M)H	692	345	280	238	420	540	230	554	182	1037	520	620	50	40	42	115	33	120	165	32 x 18 x 165	M20	34	460	
B2213-(8M)H	692	389		273					218	1081														480
B2213-(10M)H	692	427		273					218	1119														495
B2217-(8M)H	735	389		273					218	1124														525
B2217-(10M)H	735	427	280	273	420	540	230	554	218	1162	520	620	50	40	42	115	33	120	165	32 x 18 x 165	M20	34	538	
B2217-(15M)H	735	498		334					256	1233														569
B2217-(20M)H	735	542		334					256	1277														588
B2316-(3M)H	778	317		219					173	1095														561
B2316-(5M)H	778	347		238					182	1125														580
B2316-(8M)H	778	392	300	273	460	580	260	595	218	1170	560	670	50	45	45	120	33	130	200	32 x 18 x 200	M24	41	596	
B2316-(10M)H	778	430		273					218	1208														608
B2316-(15M)H	778	502		334					256	1280														640
B2316-(20M)H	778	522		334					256	1300														660
B2318-(30M)H	800	563	300	382	460	580	260	595	301	1363	560	670	50	45	45	120	33	130	200	32 x 18 x 200	M24	41	760	
B2416-(3M)H	816	319		219					173	1135														670
B2416-(5M)H	816	349		238					182	1165														685
B2416-(8M)H	816	394	335	273	480	630	263	654	218	1210	580	720	50	45	45	128	39	140	200	36 x 20 x 200	M24	41	705	
B2416-(10M)H	816	432		273					218	1248														718
B2416-(15M)H	816	504		334					256	1320														750
B2416-(20M)H	816	549		334					256	1365														770
B2418-(20M)H	837	543		334					256	1380														800
B2418-(25M)H	837	563	335	382	480	630	263	654	301	1400	580	720	50	45	45	128	39	140	200	36 x 20 x 200	M24	41	860	
B2418-(30M)H	837	563		382					301	1400														860
B2517-(5M)H	956	349		238					182	1305														1040
B2517-(8M)H	956	394		273					218	1350														1060
B2517-(10M)H	956	429		273					218	1385														1070
B2517-(15M)H	956	499	375	334	520	670	320	726	256	1455	630	780	55	55	50	140	39	160	240	40 x 22 x 240	M30	49	1110	
B2517-(20M)H	956	544		334					256	1500														1120
B2517-(25M)H	956	564		382					301	1520														1190
B2517-(30M)H	956	564		382					301	1520														1195
B2519-(25M)H	978	562		382					301	1540														1265
B2519-(30M)H	978	562	375	382	520	670	320	726	301	1540	630	780	55	55	50	140	39	160	240	40 x 22 x 240	M30	49	1270	
B2519-(40M)H	978	562		382					334	1540														1280

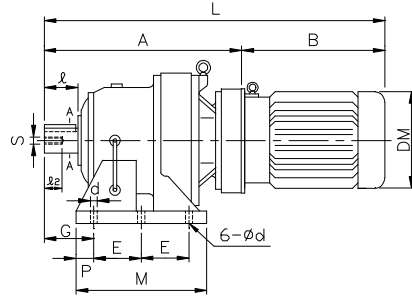
# INTEGRAL GEARMOTOR - MH

1 inch = 25.4 mm  
All dimensions listed are for reference only.  
Contact factory for certified dimensions.

## INCH SHAFT - DOUBLE STAGE



B2619-MH



B2719-MH  
A904-MH ~ A939-MH  
(w/ 6 Mounting Holes)

FRAME SIZE	Dim. in mm																Dim. in inch					Wt (lb)						
	A	B	C	DM	E	F	G	H	J	L	M	N	P	Q	R	V	d	D	I	Key	s		I2					
B2619-(8M)H	1088	392		273				218	1480																		3053	
B2619-(10M)H	1088	432		273				218	1520																			3075
B2619-(15M)H	1088	502		334				256	1590																			3153
B2619-(20M)H	1088	546	400	334	590	770	390	786	256	1634	700	880	55	55	55	160	45	6.625	11.81	1 3/4 x 1 1/4 x 11.8	M30	49				3197		
B2619-(25M)H	1088	565		382				301	1653																			3351
B2619-(30M)H	1088	565		382				301	1653																			3351
B2619-(40M)H	1088	607		382				301	1695																			3384
B2619-(50M)H	1088	667		420				334	1755																			3461
B2719-(8M)H	1349	391		273				218	1740																			5556
B2719-(10M)H	1349	429		273				218	1778																			5578
B2719-(15M)H	1349	501		334				256	1850																			5666
B2719-(20M)H	1349	546	540	334	420	1050	485	1033	256	1895	1040	1160	100	55	60	200	45	7.000	13.0	1 3/4 x 1 1/4 x 13	M30	52				5688		
B2719-(25M)H	1349	566		382				301	1915																			5864
B2719-(30M)H	1349	566		382				301	1915																			5864
B2719-(40M)H	1349	601		382				301	1950																			5886
B2719-(50M)H	1349	661		420				334	2010																			5974

A904-(2M)H	682	301		199				150	983																			915
A904-(3M)H	682	331	290	225	240	560	215	556	173	1013	560	620	40	30	40	100	26	4.250	6.69	1 x 1 x 6.31	M20	34					937	
A904-(5M)H	682	325		230					182	1007																		959
A904-(8M)H	682	357		275					218	1039																		992
A906-(8M)H	705	346		275					218	1051																		1047
A906-(10M)H	705	384	290	275	240	560	215	556	218	1089	560	620	40	30	40	100	26	4.250	6.69	1 x 1 x 6.31	M20	34					1080	
A906-(15M)H	705	462		316					256	1167																		1135
A916-(3M)H	805	331		225					173	1136																		1290
A916-(5M)H	805	335	325	230	250	630	290	625	182	1140	600	690	50	30	40	105	26	4.625	8.28	1 1/4 x 7/8 x 7.88	M24	42					1312	
A916-(8M)H	805	346		275					218	1151																		1345
A916-(10M)H	805	384		275					218	1189																		1378
A917-(10M)H	812	401		275					218	1213																		1433
A917-(15M)H	812	462	325	316	250	630	290	625	256	1274	600	690	50	30	40	105	26	4.625	8.28	1 1/4 x 7/8 x 7.88	M24	42					1488	
A917-(20M)H	812	506		316					256	1318																		1532
A928-(5M)H	1020	337		230					182	1357																		2535
A928-(8M)H	1020	363		275					218	1383																		2579
A928-(10M)H	1020	401	420	275	330	800	372	800	218	1421	810	880	75	40	50	143	39	5.500	9.84	1 1/4 x 7/8 x 9.66	M30	52					2623	
A928-(15M)H	1020	467		316					256	1487																		2668
A928-(20M)H	1020	511		316					256	1531																		2712
A928-(30M)H	1020	602		364					301	1622																		2866
A939-(8M)H	1349	373		275					218	1722																		5578
A939-(10M)H	1349	411		275					218	1760																		5600
A939-(15M)H	1349	476	540	316	420	1050	485	1045	256	1829	1040	1160	100	55	60	200	45	7.000	13	1 3/4 x 1 1/4 x 13	M30	52					5666	
A939-(20M)H	1349	518		316					256	1867																		5688
A939-(30M)H	1349	602		364					301	1951																		5864
A939-(40M)H	1349	681		418					301	2030																		5952

